



INNOVATIVE DESIGNS
FOR CREATIVE SPACES®

Velocity Table Legs

Installation Instructions

Tools Required for Assembly

- Cordless screwdriver with #2 Phillips bit

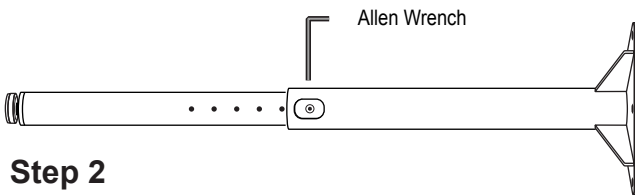
Hardware Included

- 8 x 1" #10 Phillips screws
- 1 x Allen wrench

Step 1

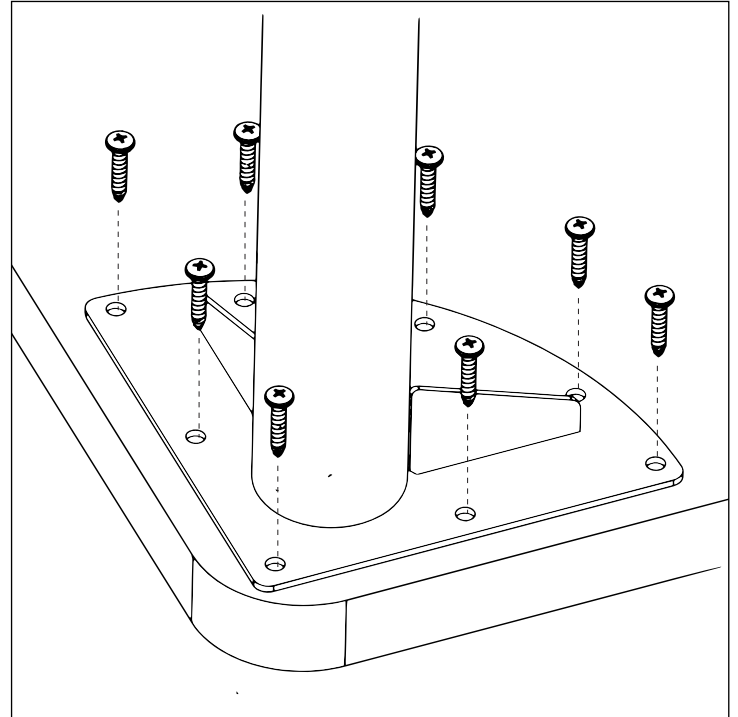
Carefully remove outer packaging and place the table with top down on a clean, non-scratching surface.

You will see pilot holes for each leg on the underside of the tabletop. These pilot holes have been pre-drilled at the factory to ensure perfect leg positioning and make assembly easier and faster.



Step 2

Set the heights of your VELOCITY legs. Use the provided Allen wrench to tighten the set screws. Check that all legs are set to the same height before proceeding.



Step 3

Turn the leg upside down and align the mounting plate with the pre-drilled holes. Ensure that the plate is fully aligned with the pilot holes.

Install the Phillips screws through the holes and into the tabletop. Tighten fully, and repeat for all remaining legs.

With a helper, turn the table upright. Nylon glides at the bottom of each leg can be adjusted to perfectly level the table.