



INNOVATIVE DESIGNS  
FOR CREATIVE SPACES.

# TB Series Table Assembly

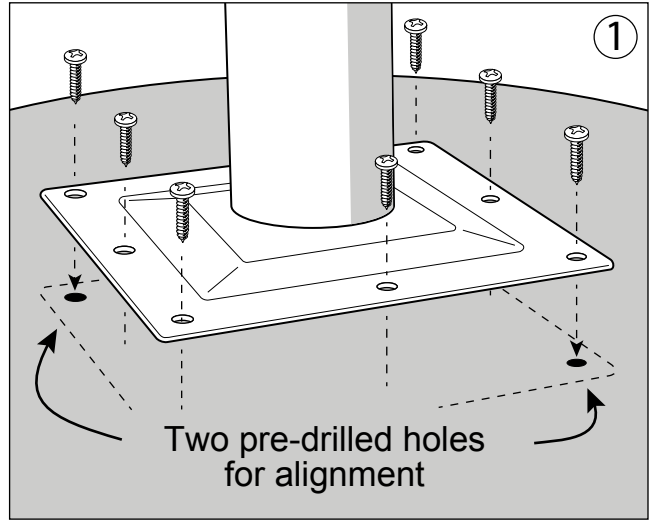
Tables:	36" Circle Table	36" Square Table	30x60" Rectangle
	42" Circle Table	42" Square Table	30x72" Rectangle
	48" Circle Table	30x48" Rectangle	36x72" Rectangle

Open all boxes carefully to avoid damaging the table. Place the Table Top upside-down on a clean, non-scratching surface.

1) Position the Top Mounting Plate of the Column over the bottom of the table top.

There are TWO pre-drilled corner holes to allow accurate positioning the column. Install these two screws first, using a Phillips driver to align and fasten the column to the top.

Install the remaining mounting screws through the mounting plate into the top. All eight mounting screws are required.



2) Attach the cast iron table base to the column using one 3/4" bolt and split ring lock washer.

Tighten the bolt until the lock washer is fully compressed. Use a 3/4" or 19mm wrench.

With a helper, carefully turn the table upright and enjoy.

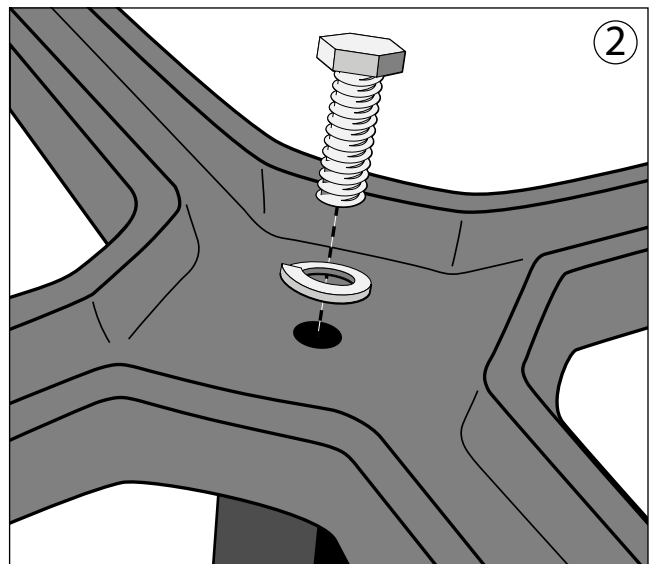
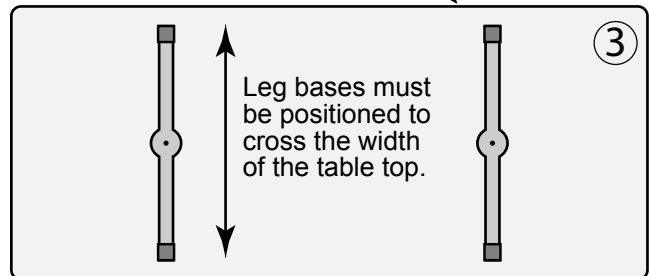


Table Top →

3) Rectangular tables require two columns and bases. Attach each column to the underside of the long top as described above in Step 1.

Next, ensure that the cast iron bases are properly aligned across the width of the table, then tighten the bolts for each leg base.

With a helper, carefully turn the table upright and enjoy.



For Customer Service Call 1-800-999-0386

alliedusa.com



INNOVATIVE DESIGNS  
FOR CREATIVE SPACES.

Rev 041621